
Fan Heaters

Type TXI, WBK, WBG, Delta & VLE

Sinus Jevi has an extensive program of high quality fan heaters for every application. From cost effective model TXI to high power stationary model VLE, all heaters represent our many years of experience with electric heating equipment. Sinus Jevi fan heaters are characterized by their robust and efficient design in which only the best materials and most reliable components are integrated.



**SINUS
JEVI** 



Liquids



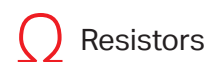
Gasses



Solids



Spaces



Resistors

TXI

Cost effective electric fan heater type TXI is suitable for light industrial use and other less demanding applications. These heaters are especially convenient for mobile use.

The fan heaters are ideally suited for heating small- and medium-sized premises such as living rooms, workshops, garages, shops, storerooms, summer cottages, etc. Even larger premises, such as greenhouses, sports- and factory facilities can, by using or combining several fan-heaters, be sufficiently heated. TXI fan-heaters are manufactured and approved according to current European standards.

TXI fan heaters are produced with coated steel cabinets and with insulated safety handles. Stainless steel heating elements ensure reliable and efficient heat transfer to the air flow. The fan motors do not require any specific maintenance.

Both a control thermostat and safety thermostat with manual reset are a part of the heater design. With the aid of a rotary switch it is possible to select the operation mode: heater off, fan only, half power or full power. Model TXI 90 has the possibility to select between 3 power modes: 3 kW, 6 kW and 9 kW. More technical details can be found in table 2.

TXI20 and TXI33A are equipped with 2 metres power cable including a (230 VAC / 50 Hz) Schuko plug. The other models have to be connected to the mains with an external mains connection cable. See table 2 for available cables.



TXI 20



TXI 33A



TXI 50



TXI 90



TXI 150

Table 1	TXI FAN HEATERS					<i>TECHNICAL DATA</i>
Type	TXI 20	TXI 33A	TXI 50	TXI 90	TXI 150	
Power	2 kW	1,65 / 3,3 kW	2,5 / 5 kW	3 / 6 / 9 kW	7,5 / 15 kW	
Current	8,7A	14,3A	7,2A	13,5A	21,6A	
Supply voltage	230 Volt / 50 Hz		3 x 400 Volt / 50 Hz			
Mains connection	2m cable with Schuko plug		surface mounted CEE plug 5P / 16A		surface mounted CEE plug 5P / 32A	
Operation modes	Off / fan only / half power / full power			Off / fan only / 1/3 power 2/3 power / full power		Off / fan only / half power / full power
Temperature control	built-in thermostat					
Air volume flow	300 m ³ /h	400 m ³ /h	400 m ³ /h	700 m ³ /h	1300 m ³ /h	
Weight	5 kg	7.5 kg	8 kg	10 kg	15.5 kg	
Enclosure colour	variable	yellow				
Fan diameter	170 mm	230 mm		254 mm	300 mm	
Dimensions Width	230 mm	250 mm		350 mm	350 mm	
Depth	200 mm	250 mm		330 mm	440 mm	
Height	330 mm	420 mm		480 mm	600 mm	
Protection degree	IP44					
Article number	753 001 0201A	753 001 0331B	753 001 0503A	753 001 0903A	753 001 1503A	
EAN code	8715179007201	8715179007423	8715179007225	8715179007232	8715179007249	

Table 2	Mains Connection Cables for TXI				
Heater type	Article code	EAN code	Cable type	Cable length	Description
TXI 50 / TXI 90	0547531625A	8715179007287	TXI-CAB-16-2	2 m	Cable 2m 2.5mm ² IP44 16A 5P
TXI 50 / TXI 90	0547531625B	8715179007294	TXI-CAB-16-5	5 m	Cable 5m 2.5mm ² IP44 16A 5P
TXI 150	0547533240A	8715179007300	TXI-CAB-32-2	2 m	Cable 2m 4.0mm ² IP44 32A 5P
TXI 150	0547533240B	8715179007317	TXI-CAB-32-5	5 m	Cable 5m 4.0mm ² IP44 32A 5P



TXI Aansluitkabel

WBK

Our WBK air heaters have been designed for industrial application. Because of their high reliability, they are especially suitable for all applications at an ambient temperature of up to 35°C.

As the construction of the WBK is in accordance with protection class IP44 I, it is also suitable for use in damp spaces (spray-proof). Because of the low surface temperature, it is safe to use in places of easy access. However, it is not to be used in spaces containing flammable or combustible materials. The heater is made of stainless steel tubular elements, in a 1- or 3-phase construction. It is designed for durability and provided with pre-heating and lag control. Connection is via cable gland at the back.

CONSTRUCTION

WBK air heaters consist of a steel housing, containing closed tubular elements, along which a 1-phase fan blows air. In order to distribute warmth evenly, they have a high air-output.

These heaters are delivered with a universal bracket, allowing them to be mounted on the floor, the wall or the ceiling.

Finish: a durable layer of red epoxy paint for the housing and a layer of black epoxy paint for the bracket. Connection for an external room thermostat is provided as standard.

This appliance meets the CE directives.

APPLICATION

For industrial application in drying rooms, as frost protection, in engine rooms, workshops, etc.

They can also be used as domestic appliances in garages, cellars, offices, etc.

STANDARD VOLTAGES

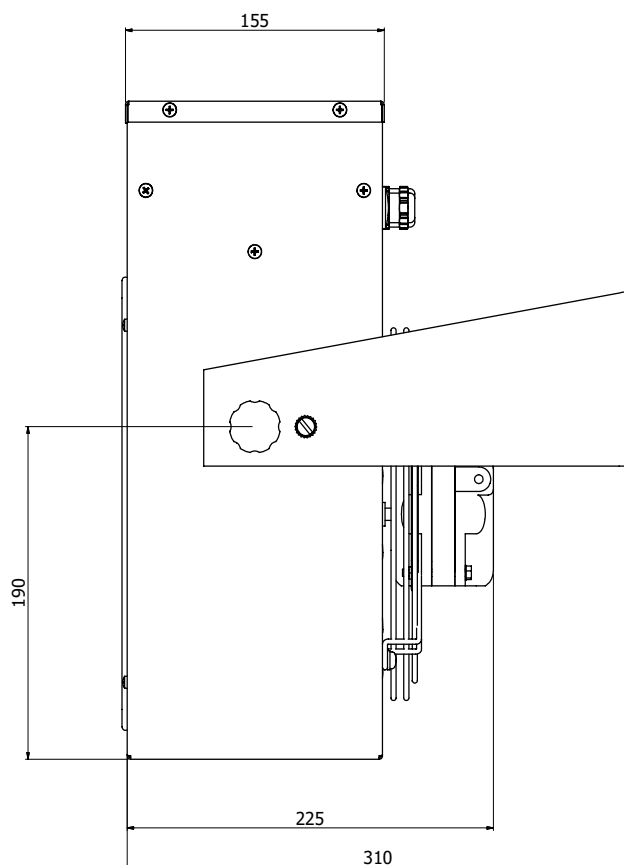
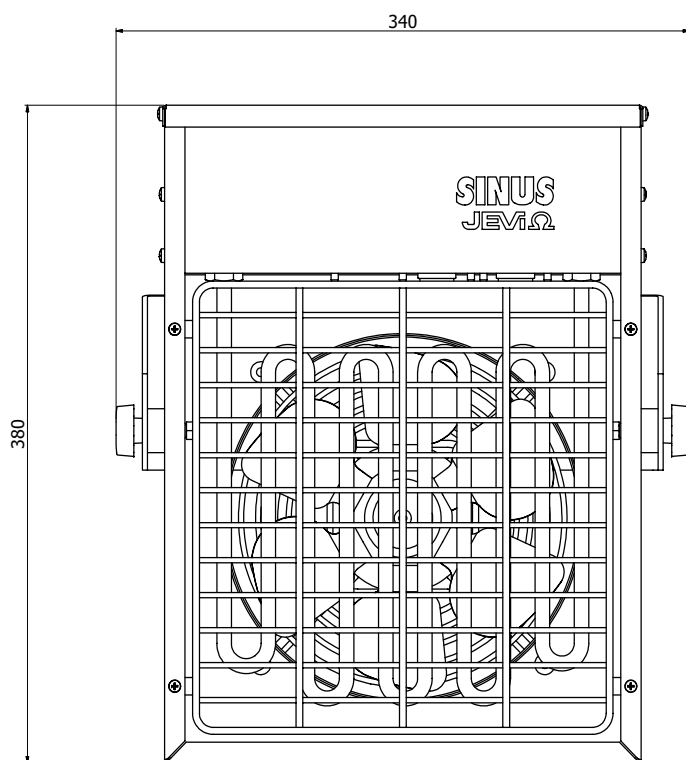
230 Volt AC 1-phase, 50 Hz.

3x400 Volt 3-phase, 50 Hz.



TECHNICAL DATA		WBK-TYPE UNIVERSAL AIR HEATERS			
Type		WBK 2	WBK 3	WBK 3/3	WBK 4,5/3
Output		2 kW	3 kW	3 kW	4,5 kW
Connection voltage		230 Volt		3x400 Volt	
Current intensity		8.7 A	13 A	3 x 5.8 A	3 x 6.5 A
Control possibilities		-	-	-	-
Temperature increase		20 °C	28 °C	28 °C	42 °C
Temperature adjustability		external thermostat*			
Air volume		300 m ³ /h			
Weight		9 kg		9.5 kg	
Dimensions					
Width		340 mm			
Depth		300 mm			
Height		380 mm			
Max. height incl. bracket		410 mm			
Article number		761 098 0223A	761 098 0323A	761 098 0340A	761 098 0440A
EAN code		8715179003456	8715179003463	8715179003470	8715179003487

*Not included



WBG

Our WBG air heaters have been designed for industrial application. Because of their high reliability, they are especially suitable for all heating applications at an ambient temperature of up to 35°C.

As the WBG's construction is in accordance with protection class IP44, it is also suitable for use in damp spaces (spray-proof). Because of the low surface temperature, it is suitable for use in places of easy access. However, it is not to be used in spaces containing flammable or combustible materials.

The heater is made of stainless steel tubular elements, in 3-phase construction. It is designed for durability. The WBG can also be connected 1 phase. Connection is via a cable gland at the back. As standard, these air heaters are provided with a group switch, preheating and lag control and have a connection for an external room thermostat.

CONSTRUCTION

WBG air heaters consist of a steel housing, containing closed tubular elements, along which the built-in fan blows air. In order to distribute warmth evenly, they have a high air-output. This also gives the heaters their high drying capacity.

These heaters are delivered with a universal bracket, allowing them to be mounted on the floor, the wall or the ceiling.

Finish: a durable layer of red epoxy paint for the housing and a layer of black epoxy paint for the bracket. The air heater is spray-proof (IP44)

APPLICATION

For industrial application in drying rooms, as frost protection, in engine rooms, work shops and so forth. They can also be used as a domestic appliances in garages, cellars, offices, etc.

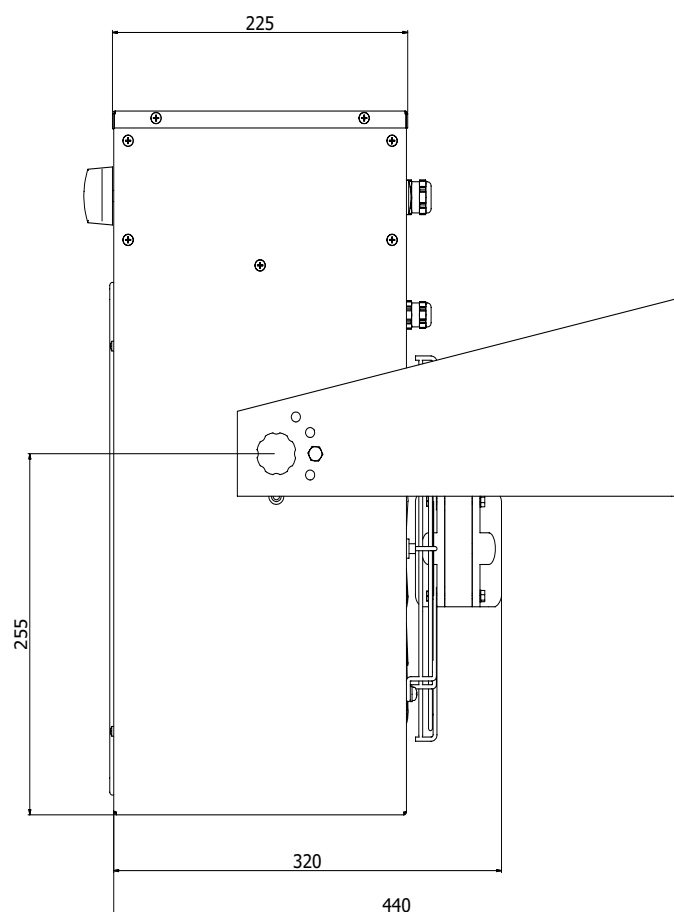
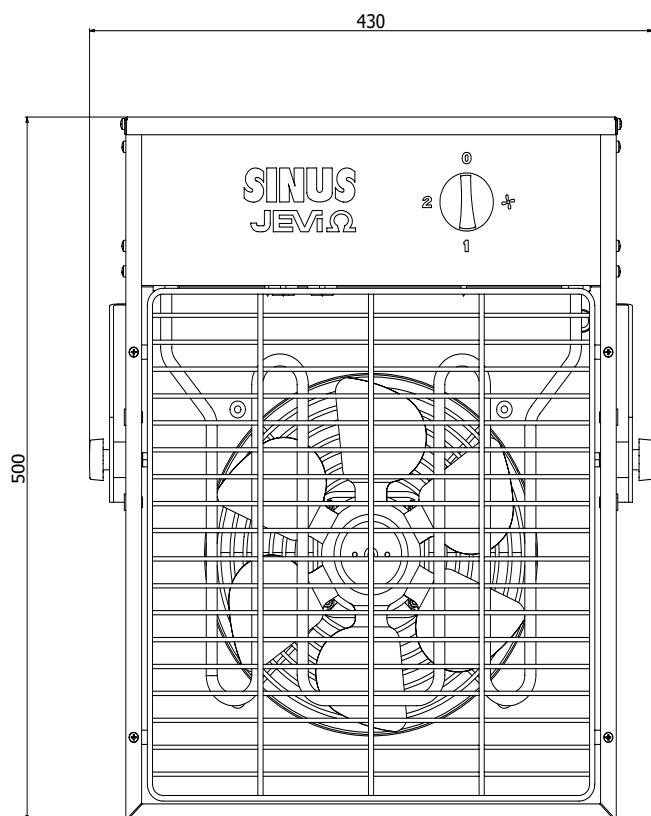
STANDARD VOLTAGES

3x400 Volt AC 3 phase, 50 Hz.



TECHNICAL DATA		WBG-TYPE UNIVERSAL AIR HEATERS			
Type		WBG 6	WBG 9	WBG 12	WBG 15
Output		6 kW	9 kW	12 kW	15 kW
Connection voltage		3 x 400 Volt			
Current intensity		3 x 8.7 A	3 x 13 A	3 x 17.4 A	3 x 21.7 A
Control possibilities		3 - 6 kW	4.5 - 9 kW	6 - 12 kW	7.5 - 15 kW
Temperature increase		25°C	38°C	25°C	32°C
Temperature adjustability		external thermostat*			
Air volume		650 m ³ /h		1300 m ³ /h	
Weight		16.5 kg	16.5 kg	17 kg	17 kg
Dimensions		Width 430 mm			
		Depth 360 mm			
		Height 500 mm			
Max. height incl. bracket		565 mm			
Article number		762 098 0640A	762 098 0940A	762 098 1240A	762 098 1540A
EAN code		8715179003494	8715179003500	8715179003517	8715179003524

*Not included



DELTA

Delta is rigid and reliable fan heater designed for harsh weather and rough environments, where fine materials and performance are required for example on building and construction sites or in ship building industries. Delta is also used for more permanent installations in production areas, warehouses, garages, factories and stables. It is easy to change from portable to permanent by using a wall bracket instead of the hand rail. The wall bracket must be ordered separately.

TECHNICAL DATA

Delta is supplied with a 0 - 40°C thermostat which ensures an optimum service and minimizes the electrical consumption. A thermocut is also installed for safety against superheating. You can also order Delta heaters supplied with a 24 hour timerfunction (T). Delta is designed with an inner round shell which ensures that the entire air flow passes over the heating elements. In this way problems with cold areas and stalling airflow are avoided.

The fan heater is supplied in 3 x 400 V + PE, but very often applications require different voltages, therefore all types are available from 110 V - 690 V.
Delta is moisture proof to IPX4.

PERMANENT INSTALLATION

The hand rail is removed, and by using the wall bracket the fan heater can be mounted vertically or in a 15° angle.

ELECTRICAL INSTALLATION

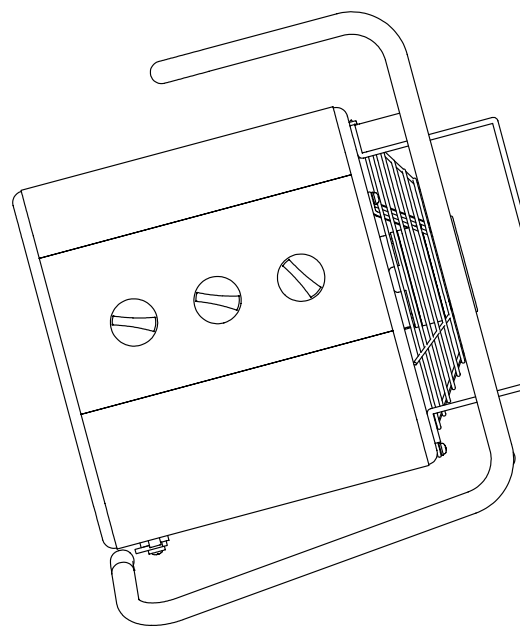
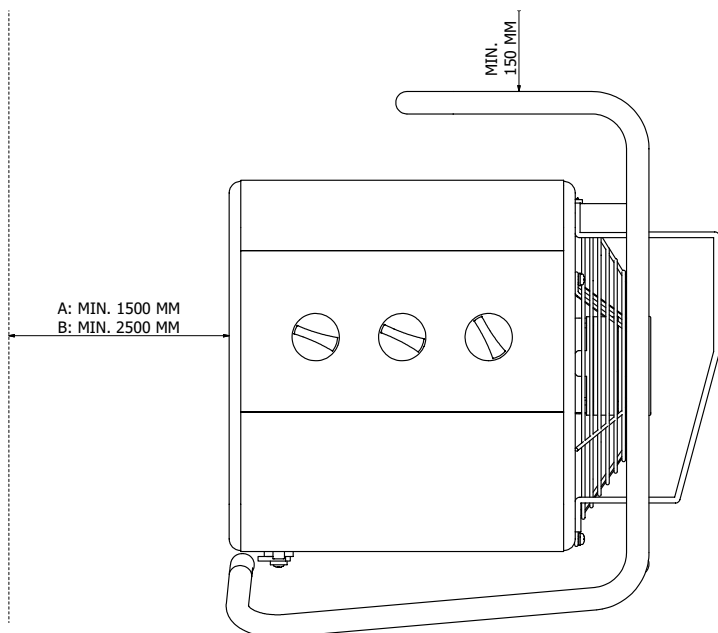
Permanent installation must be carried out by an authorised electrician in compliance with current regulations.

COATING

Delta is constructed of electrogalvanized steelplates coated with a coating in RAL 7004 (light grey).



TECHNICAL DATA			DELTA UNIVERSAL AIR HEATERS					
Type	Output	Voltage	Width	Height	Depth	Weight	M ³ /h	Article number
Delta 3000 (A) Delta 3000T (A)	3 kW	230 Volt	410 mm	435 mm	420 mm	approx. 14 kg	400/650	754 030 230A
Delta 3000 (A) Delta 3000T (A)		3 x 400 Volt						754 030 230T
Delta 3000 (A)		3 x 440 Volt						754 030 400A
Delta 6000 (A) Delta 6000T (A)	6 kW	3 x 400 Volt				754 030 400T		
Delta 6000 (A)		3 x 440 Volt				754 030 440A		
Delta 9000 (A) Delta 9000T (A)		9 kW				3 x 400 Volt		754 060 400A
Delta 9000 (A)	3 x 440 Volt		754 060 400T					
Delta 15000 (B) Delta 15000T (B)	15 kW		3 x 400 Volt	754 060 440A				
Delta 15000 (B)		3 x 440 Volt	754 090 400A					
Delta 21000 (B) Delta 21000T (B)		21 kW	3 x 400 Volt	754 090 400T				
Delta 21000 (B)	3 x 440 Volt		754 090 440A					
Delta 15000 (B) Delta 15000T (B)	15 kW		3 x 400 Volt	754 150 400A				
Delta 15000 (B)		3 x 440 Volt	754 150 400T					
Delta 21000 (B) Delta 21000T (B)		21 kW	3 x 400 Volt	754 150 440A				
Delta 21000 (B)	3 x 440 Volt		754 210 400A					
Delta 21000 (B)	3 x 440 Volt		754 210 400T					
Wall bracket A								754 210 440A
Wall bracket B								754 000 100A
								754 000 200A



VLE HEATERS



VLE

The VLE fan heaters are for fix mounting (non-portable) and are ideal for use in areas where high output is needed. It has a very stable construction and can therefore be used where high vibrations can occur. The fan heater is made of materials able to withstand aggressive effects at sea, on offshore installations, in warehouses and for large manufacturing facilities.

VLE is produced in 2 different types of materials, recommended for following uses:

- ° Stainless steel AISI 316L - for outdoor and corrosive areas like offshore and other harsh environments
- ° Cabinet in galvanized steel and with coated steel control panel mainly for indoor use and non-corrosive areas like onshore use, sports halls, warehouses and manufacturing facilities.

Regardless of which material is selected, the heating elements (stainless steel AISI 316L) are bright annealed.

The power is divided into 3 steps (low - medium - full power). This gives you a fan heater with a large window of power in only one unit. The fan provides an airflow/circulation and air heating for outdoor and indoor installation. Power can easily be changed manually on the outside of the control panel to give you the preferred output. For change of airflow you need an *external fan unit adjustment control* - see under "accessories for VLE fan heaters".

STANDARDS AND APPROVALS

- ° CE
- ° EN 60335-1:2012
- ° EN 60335-2-30:2009
- ° EN 60204-1:2006
- ° EN 62233:2008
- ° IEC/EN 61000-6-2:2006
- ° IEC/EN 61000-6-4:2007
- ° EN 50581:2012

Our VLE fan heaters can be approved by DNV, ABS and other 3 parties.

TECHNICAL DATA

Voltage range

- ° 1x230 Volt and 3x230 Volt to 3x690 Volt

Degree of protection for fan motor:

- ° IP44 (VLE4)
- ° IP54 (VLE5 of VLE6)

Degree of protection for control panel:

- ° IP66 all 3 models

Integrated room thermostat:

0 - 40°C thermostat, ensuring optimum operation and minimising energy consumption

Integrated safety components:

- ° TSH with automatic reset and TSHH with manual reset to prevent the motor to overheat

Cable glands:

VLE fan heaters above 16A are pre-fitted with M32 cable glands. Reducing parts for M20 and M25 cable glands are also included. Fan heaters under 16A are pre-fitted with M20. Standard material for cable glands - polyamide. Other material on request.

Lifting lugs:

Regardless of model, the heater weighs more than 25kg and is therefore supplied with lifting lugs to ensure better working conditions during installation and maintenance.

ACCESSORIES FOR VLE FAN HEATERS

In addition to our standard range shown on the following pages, optional extras are available:

- ° External room thermostat 0-40°C, IP44
- ° External room thermostat 0-40°C, IP65
- ° External fan unit start/stop circuit breaker, IP66. Allows the heater to be used to circulate cold air
- ° External fan unit adjustment control. Noise level can be reduced to 50dB at low fan speed.

See our standard range on the next 3 pages.

VLE HEATERS STANDARD PROGRAMME

VLE-4

- ° Type: VLE 4
- ° Power: 3-6-9 kW or 3-9-12 kW (3 steps)
- ° Material: Stainless steel AISI 316L or cabinet in galvanized steel with coated control panel.
- ° Size: W630 mm x H460 mm x D590 mm
- ° Frequency: 50/60 Hz
- ° Maximum volume of air at nominal fan speed:
1700/2000 m³/h - 50/60Hz (air volume at low fan speed:
900/1050 m³/h - 50/60 Hz possible with the purchase of a regulator, see previous page)
- ° Maximum throw at nominal fan speed: 10/11 m - 50/60Hz
- ° Degree of protection for control panel: IP66
- ° Degree of protection for fan motor: IP44
- ° Sound level at nominal fan speed: 58dB (measured at a distance of 5 metres from the unit) Can be reduced to 50dB when using a regulator for the fan unit) see page 9.



Article number	Material	Type Power (3 steps)	Voltage	Current (min. supply)	Rise of temperature at nominal fan speed	Weight
4644092302A	Stainless steel AISI 316L	VLE 4 3-6-9 kW	3x230 Volt	23A	5/4°C	45kg
4644093802A			3x380 Volt	14A	5/4°C	
4644094002A			3x400 Volt	13A	10/8°C	42kg
4644094402A			3x440 Volt	12A	10/8°C	
4644094802A			3x480 Volt	11A	16/13°C	
4644096902A			3x690 Volt	8A	16/13°C	
4644122302A	Stainless steel AISI 316	VLE 4 3-9-12 kW	3x230 Volt	31A	5/4°C	46kg
4644123802A			3x380 Volt	19A	5/4°C	
4644124002A			3x400 Volt	18A	16/13°C	
4644124402A			3x440 Volt	16A	16/13°C	43kg
4644124802A			3x480 Volt	15A	21/18°C	
4644126902A			3x690 Volt	11A	21/18°C	
4644092301A	Cabinet Galvanized steel and coated steel control panel	VLE 4 3-6-9 kW	3x230 Volt	23A	5/4°C	42kg
4644093801A			3x380 Volt	14A	5/4°C	
4644094001A			3x400 Volt	13A	10/8°C	
4644094401A			3x440 Volt	12A	10/8°C	
4644094801A			3x480 Volt	11A	16/13°C	
4644096901A			3x690 Volt	8A	16/13°C	
4644122301A	Cabinet Galvanized steel and coated steel control panel	VLE 4 3-9-12 kW	3X230 Volt	31A	5/4°C	46kg
4644123801A			3x380 Volt	19A	5/4°C	
4644124001A			3x400 Volt	18A	16/13°C	
4644124401A			3x440 Volt	16A	16/13°C	43kg
4644124801A			3x480 Volt	15A	21/18°C	
4644126901A			3x690 Volt	11A	21/18°C	

VLE-5

- ° Type: VLE 5
- ° Power: 6-9-15 kW or 9-15-24 kW (3 steps)
- ° Material: Stainless steel AISI 316L or cabinet in galvanized steel with coated control panel.
- ° Size: W740 mm x H570 mm x D690 mm
- ° Frequency: 50/60 Hz
- ° Maximum volume of air at nominal fan speed:
3500/4200 m³/h - 50/60Hz (air volume at low fan speed:
2600/3100 m³/h - 50/60 Hz possible with the purchase of a regulator, see previous page)
- ° Maximum throw at nominal fan speed: 12/14 m - 50/60Hz
- ° Degree of protection for control panel: IP66
- ° Degree of protection for fan motor: IP54
- ° Sound level at nominal fan speed: 65dB (measured at a distance of 5 metres from the unit) Can be reduced to 56dB when using a regulator for the fan unit) see page 9.



Article number	Material	Type Power (3 steps)	Voltage	Current (min. supply)	Rise of temperature at nominal fan speed	Weight
4645152302A	Stainless steel AISI 316L	VLE 5 6-9-15 kW	3x230 Volt	38A	6/5°C	62kg
4645153802A			3x380 Volt	23A	6/5°C	
4645154002A			3x400 Volt	22A	9/8°C	58kg
4645154402A			3x440 Volt	20A	9/8°C	
4645154802A			3x480 Volt	19A	16/13°C	
4645156902A			3x690 Volt	13A	16/13°C	
4645242302A	Stainless steel AISI 316	VLE 5 9-15-24 kW	3x230 Volt	61A	9/7°C	65kg
4645243802A			3x380 Volt	37A	9/7°C	
4645244002A			3x400 Volt	35A	16/13°C	61kg
4645244402A			3x440 Volt	32A	16/13°C	
4645244802A			3x480 Volt	29A	26/21°C	
4645246902A			3x690 Volt	21A	26/21°C	
4645152301A	Cabinet Galvanized steel and coated steel control panel	VLE 5 6-9-15 kW	3x230 Volt	38A	6/5°C	62kg
4645153801A			3x380 Volt	23A	6/5°C	58kg
4645154001A			3x400 Volt	22A	9/8°C	
4645154401A			3x440 Volt	20A	9/8°C	
4645154801A			3x480 Volt	19A	16/13°C	
4645156901A			3x690 Volt	13A	16/13°C	
4645242301A	Cabinet Galvanized steel and coated steel control panel	VLE 5 9-15-24 kW	3X230 Volt	61A	9/7°C	65kg
4645243801A			3x380 Volt	37A	9/7°C	
4645244001A			3x400 Volt	35A	16/13°C	61kg
4645244401A			3x440 Volt	32A	16/13°C	
4645244801A			3x480 Volt	29A	26/21°C	
4645246901A			3x690 Volt	21A	26/21°C	

VLE-6

- ° Type: VLE 6
- ° Power: 12-18-30 kW or 12-24-36 kW (3 steps)
- ° Material: Stainless steel AISI 316L or cabinet in galvanized steel with coated control panel.
- ° Size: W855 mm x H685 mm x D760 mm
- ° Frequency: 50/60 Hz
- ° Maximum volume of air at nominal fan speed:
5300/6300 m³/h - 50/60Hz (air volume at low fan speed:
3700/4400 m³/h - 50/60 Hz possible with the purchase of a regulator, see previous page)
- ° Maximum throw at nominal fan speed: 15/18 m - 50/60Hz
- ° Degree of protection for control panel: IP66
- ° Degree of protection for fan motor: IP54
- ° Sound level at nominal fan speed: 68dB (measured at a distance of 5 metres from the unit) Can be reduced to 58dB when using a regulator for the fan unit) see page 9.



Article number	Material	Type Power (3 steps)	Voltage	Current (min. supply)	Rise of temperature at nominal fan speed	Weight
4646304002A	Stainless steel AISI 316L	VLE 6 12-18-30 kW	3x400 Volt	44A	7/6°C	80kg
4646304402A			3x440 Volt	40A	12/9°C	
4646304802A			3x480 Volt	37A	19/15°C	
4646306902A			3x690 Volt	26A	19/15°C	
4646364002A	Stainless steel AISI 316	VLE 6 12-24-36 kW	3x400 Volt	52A	7/6°C	82kg
4646364402A			3x440 Volt	48A	16/12°C	
4646364802A			3x480 Volt	44A	23/18°C	
4646366902A			3x690 Volt	31A	23/18°C	
4646304001A	Cabinet Galvanized steel and coated steel control panel	VLE 6 12-18-30 kW	3x400 Volt	44A	7/6°C	80kg
4646304401A			3x440 Volt	40A	12/9°C	
4646304801A			3x480 Volt	37A	19/15°C	
4646306901A			3x690 Volt	26A	19/15°C	
4646364001A	Cabinet Galvanized steel and coated steel control panel	VLE 5 12-24-36 kW	3x400 Volt	52A	7/6°C	82kg
4646364401A			3x440 Volt	48A	16/12°C	
4646364801A			3x480 Volt	44A	23/18°C	
4646366901A			3x690 Volt	31A	23/18°C	

THK 18

Yellow, epoxy hot air cannon with built-in room thermostat with a connection for an external room thermostat.
 The THK18 is waterproof IP44.
 To improve mobility, equipped with trolley and handle.
 Designed to work with flexible tubes.
 A plug with 5 pin connection socket is included.



FLEXI-PIPE

A flexible air hose of 5 or 10 meters with coupler.
 For heating in inaccessible places.
 Applicable for THK18.

TECHNICAL DATA		ELECTRICAL HOT-AIR BLOWERS	
Type		THK 18	
Output		18 kW	
Current intensity		26A	
Connection voltage		3 x 400 Volt - 50Hz	
Control possibilities		9 / 18 kW	
Temperature adjustability		Built in thermostat	
Air volume		1700 m³/h	
Weight		26 kg	
Ventilator diameter		300 mm	
Dimensions Width		437 mm	
Length		836 mm	
Height		552 mm	
Protection class		IP44	
Article number		745 021 0001A	
EAN code		8715179007430	
Options:			
Flexi pipe 5 metre		732 000 002A	
Flexi pipe 10 metre		732 000 003A	

SINUS JEVI

Sinus was one of the pioneers in the field of explosion proof heating equipment, today we are still operating at the forefront. We design and manufacture according to ATEX as well as IECEx and EAC directives.

Our company is certified to design and produce Ex-equipment. and we also in the possession of ISO 9001 and ISO 14001 certificates.

NIBE